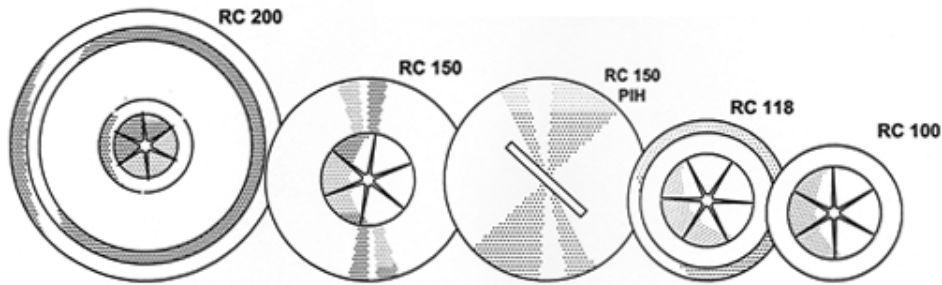


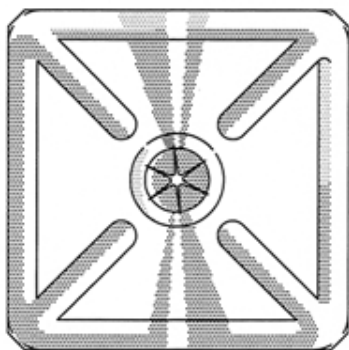
Insulation Washers

Spec. Sheet SLW-1

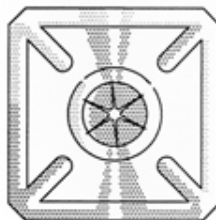


Style	RC 100	RC 118	RC 150	RC 150 PIH	RC 200	OC 125	SC 150	SC 250
Size/Diam.	1"	1 3/16"	1 1/2"	1 1/2"	2"	1 1/8" x 1 1/4"	1 1/2" x 1 1/2"	2 1/2" x 2 1/2"
Thickness	.015	.015	.015	.015	.015	.015	.015	.015
Finish	Galv	Galv	Galv	Galv	Galv	Galv	Galv	Galv
Pack	1,000	1,000	1,000	1,000	2,000	1,000	3,000	1,000
Approx. Wgt/1000	4.2	4.8	8.0	8.0	14.0	6.3	10.0	30.0
Other Materials	S.S.	S.S.	S.S. Alum	S.S.	S.S. Alum	S.S. Alum	S.S. Alum	S.S. Alum

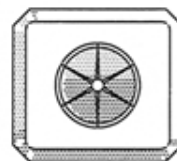
AGM Washers are designed to be used with weld pins, insulation-hangers, lacing anchors, etc. Specify spindle size when ordering. Special holes sizes are available upon request.



SC 250



SC 150

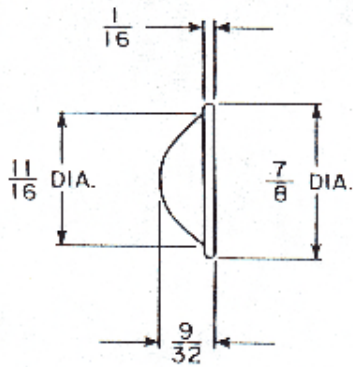


OC 125

AGM Industries, Inc.
 16 Jonathan Drive, Brockton, MA 02301
 Tel:(508) 587-3900 Fax:(508) 587-3283 Toll Free: 800-225-9990

Capped Washers

Spec. Sheet DC-1



Part No.	Dome Finished	WGT/M
ADC-**	Plain Aluminum	4.0
BDC-**	Black Aluminum	4.0
SDC-**	Stainless Steel	6.0
WDC-**	White Aluminum	4.0

Specifications:

Materials:

All caps have stainless steel 10, 12, or 14 gauge speed washer securely inserted into the dome. Self-Locking Washers are also available with Black or White coated finish.

**Please indicate gauge of pin when ordering

Applications:

Domed caps are designed to be used where appearance and safety are major concerns. For best results, pins should be $\frac{1}{4}$ in. longer than the insulation thickness.

Prices subject to change without notice.
F.O.B. Brockton, MA

Weights are approximate and may vary.

AGM Industries, Inc.

16 Jonathan Drive, Brockton, MA 02301

Tel:(508) 587-3900 Fax:(508) 587-3283 Toll Free: 800-225-9990